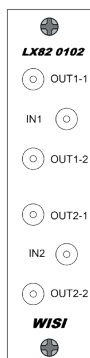


WISI LX 82 0102

Dual 2-way Splitter

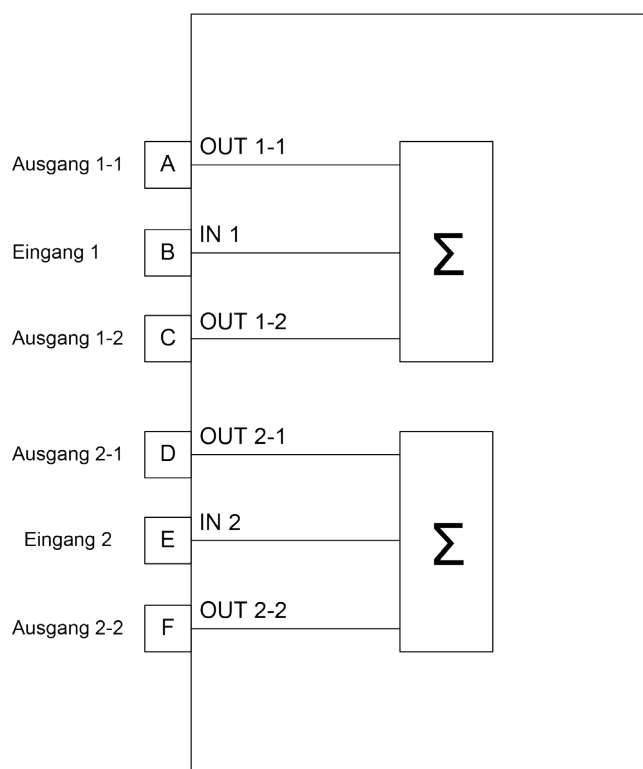


At a glance:

- Compatible with the Optopus platform
- Small form factor
- External installation without Optopus chassis via LP40 19" rack mounts

Description

The LX 82 0102 is a dual 2-way RF splitter for the Optopus platform. Its dual 2-way split provides signal preparation on the RF level before connecting any optical transmitter (e.g. redundant optical transmission on different fibers). The LX 82 will fit into the rear compartments of the LX50 and LX52 chassis, just like the passive optical modules and/or into the 19" rack mounts LP40 and LP40 0014.



WISI Communications GmbH & Co. KG

Wilhelm-Sihn-Str. 5-7
75223 Niefern - Oeschelbronn, Germany

Phone: +49 7233 66-280, Fax: -350
E-Mail: export@wisi.de

Technical Modifications reserved. WISI cannot be held liable for any printing error. 13. Januar 2020, 10:30 AM

Technical data

Electrical Parameters

Frequency range	5...1006 MHz
Insertion loss	5...85 MHz 3,1 dB ($\pm 0,2$ dB), 85...1006 MHz 3,8 dB ($\pm 0,7$ dB)
Impedance	75 Ω
Return loss	5...85 MHz > 18 dB; 85...1006 MHz > 18 dB (- 1 dB/Okt., min 14 dB)
Isolation between outputs	5...862 MHz > 23 dB; 862...1006 MHz > 20 dB
Isolation between the units	>60 dB (outputs not in use must be terminated)

General data

Housing	LD-Module
RF connectors	F-female
EMC	EN50083-2
Operating Temperature	-5...+45°C (EN300 019- 1-3 Class 3.2)

Packaging data

Sales unit	1 pcs.
Gross weight sales unit	0.620 kg
EAN	4010056729523
Article number	72952
Customs tariff number	85369010