

WISI LX 71

RF-redundancy switch

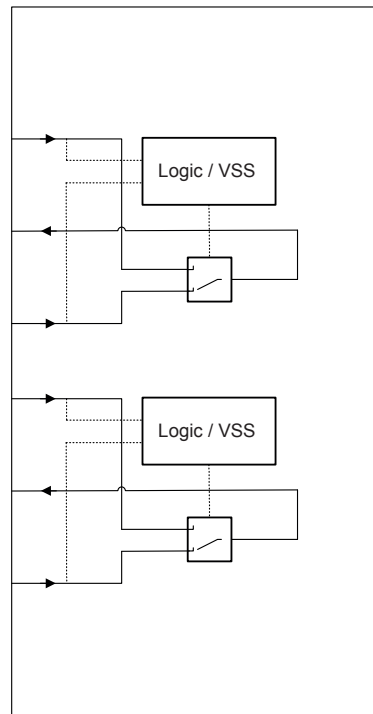
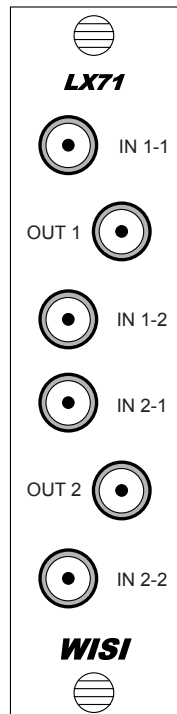


At a glance:

- Redundancy switch for use in LX platform
- Can also be used in LP40
- Remote powered / signalling via RF connection

Description

The LX 71 is an RF redundancy switch for the Optopus platform. Remote powering through e.g. LX 22 or LX 70 provides a simple installation in front of the upstream receiver (e.g. redundant optical transmission on different fibers with a single US receiver). The LX 71 will fit into the rear compartments of the LX50 and LX52 chassis, just like the passive optical modules and/or into the 19" rack mounts LP40 and LP40 0014.



Technical data

Frequency range	5...1006 MHz
Electrical return loss	5...85 MHz > 18 dB, 85...1006 MHz > 18 dB (-1 dB/ oct)
Insertion loss	< 2 dB
IN-OUT isolation (in „OFF“ position)	5...470 MHz > 60 dB, 470...860 MHz > 55 dB, 860...1006 MHz > 54 dB

General data

RF connectors	F
Impedance	75 Ω
Control Voltage	12 V over RF-IN ports (8 V...14 V)
Power consumption	< 0,2 W
EMC	EN50083-2
Operating temperature	-5...+45 °C (EN300 01 9-1-3 Class 3.2)

Packaging data

Sales unit	1 pcs.
Dimensions (WxHxD) sales unit	mm
Packaging volume sales unit	dm ³
Gross weight sales unit	kg
Shipping unit	pcs.
Dimensions (WxHxD) shipping unit	mm
Packaging volume shipping package	dm ³
Gross weight shipping unit	kg
EAN	4010056722494
Article number	72249
Customs tariff number	85176200