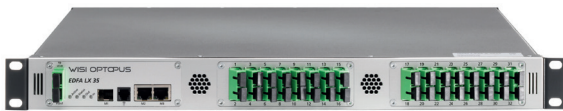


WISI LX 35 S 2132

Optical amplifier, output power 21.0 dBm, 32 outputs



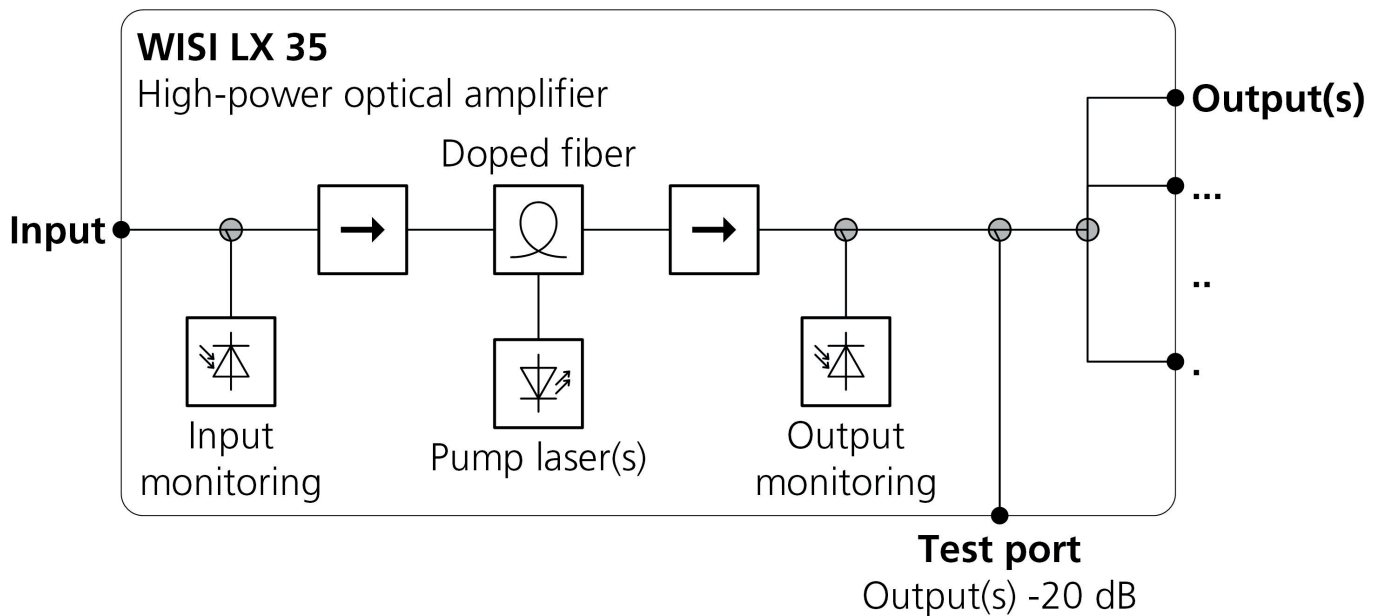
interface configurations may be differ from image shown

At a glance:

- Very high optical power with 32x 21 dBm internally
- Stand-alone operation or integrated with WISI Optopus
- Management via SNMP, HTTP or custom options
- Carrier grade functions with hot pluggable and redundant power and fans

Description

LX 35 xxxx is an optical high power amplifier on YEDFA base for the application in CATV and FTTx networks. The device is available with different output power and number of output ports.



Technical data	
Wavelength	1545...1565 nm
Input power	-5...+10 dBm
Output power	32 x 21 dBm ± 0.5 dB (average of all output ports, excluding connectors)
Gain control range	3 dB (with constant noise figure)
Noise figure	< 5,5 dB (Noise figure @ 0 dBm input, nominal output power and signal wavelength 1550 nm)
Optical return loss	> 50 dB
Isolation output -> input	> 40 dB
max. Port uniformity	< 1,3 dB
Output power attenuation range	3 dB
Optical test port	-20 dB ± 1 dB
General data	
Dimensions (width x height x depth)	483 x 44 x 455 mm (19", 1RU)
Optical connectors	SC/APC connectors
Laser Class	1M
Supply voltage	110/230 V AC or 48 V DC
Power consumption max.	<72 W
Operating temperature range	-5...+45 °C (ETSI EN 300 019 -1-3 Class 3.2)
Accessories	
Power supply	LXPS 0230, LXPS 0048 (not included in the delivery)