

WISI LX 22 H 0400

Quattro Upstream HFC/RFoG Ultra Low Noise Receiver

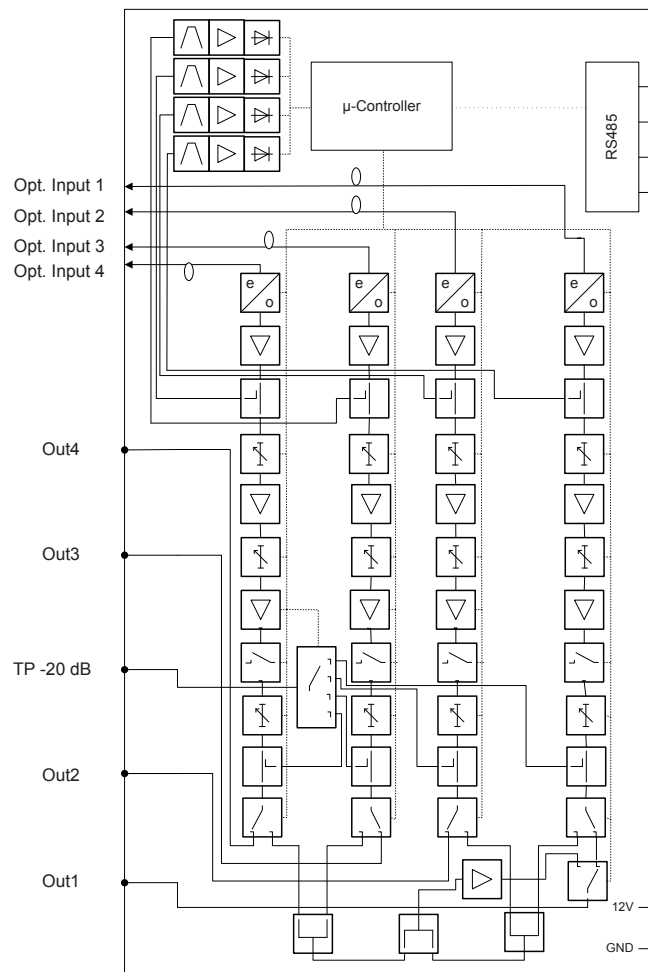


At a glance:

- Optical quattro ultra low noise upstream receiver for use in WISI Chassis LX50
- 4 independent upstream channels per unit or ne combined output
- 4 RF output ports at rear
- Optical automatic level control (ALC) for constant RF-Level
- Redundancy switching option with LX71

Description

The LX 22 is part of the Optopus product portfolio. LX 22 is a quattro upstream receiver for use in HFC networks. The Optopus platform is a highly flexible and high density platform for all kinds of analog optical networks. The system is used in any network such as HFC, RF over Glass or RF Overlay in FTTX applications.



WISI Communications GmbH & Co. KG

Wilhelm-Sihn-Str. 5-7
75223 Niefern-Oeschelbronn, Germany

Phone: +49 7233 66-280, Fax: -350
E-Mail: export@wisi.de

Technical Modifications reserved. WISI cannot be held liable for any printing error. 19. März 2018, 11:15 vorm.

Technical data

Optical Receiver LX	4 pcs.
Optical input level	-28...-10 dBm
Optical input attenuator	0...40 dB (1 dB-steps, only adjustable when ALC is off)
Receiving wavelength	1280...1630 nm
Thermal receiver noise	$\leq 1 \text{ pA}/\sqrt{\text{Hz}}$
Optical return loss	$> 45 \text{ dB}$
Electrical reflection loss	$\geq 20 \text{ dB}$ (-1 dB/oct.)
Frequency range	5...204 MHz
Ripple	$\leq \pm 0,75 \text{ dB}$
Electrical output power	75 dB μ V (max. controlled level, 5% OMI, ALC on)
Output attenuator	0...15 dB (1 dB-steps)
Output test point	-20 dB
Connectors	
SC/APC connectors	1 pcs.
F-socket	1 pcs.
General data	
Power consumption	$\leq 12 \text{ W}$
Dimensions (width x height x depth)	30 x 133 x 320 mm
Environmental parameters	-5...+45 °C (ETSI EN 300 019-1-3 Class 3.1)

Packaging data

Sales unit	1 pcs.
Dimensions (WxHxD) sales unit	440 x 200 x 60 mm
Gross weight sales unit	1.845 kg
Packaging volume shipping package	2.8 dm ³
Gross weight shipping unit	1.7 kg
EAN	4010056736446
Customs tariff number	85176100
Article number	73644