

# WISI LR 27 xxx2

Node for RFoG Systems

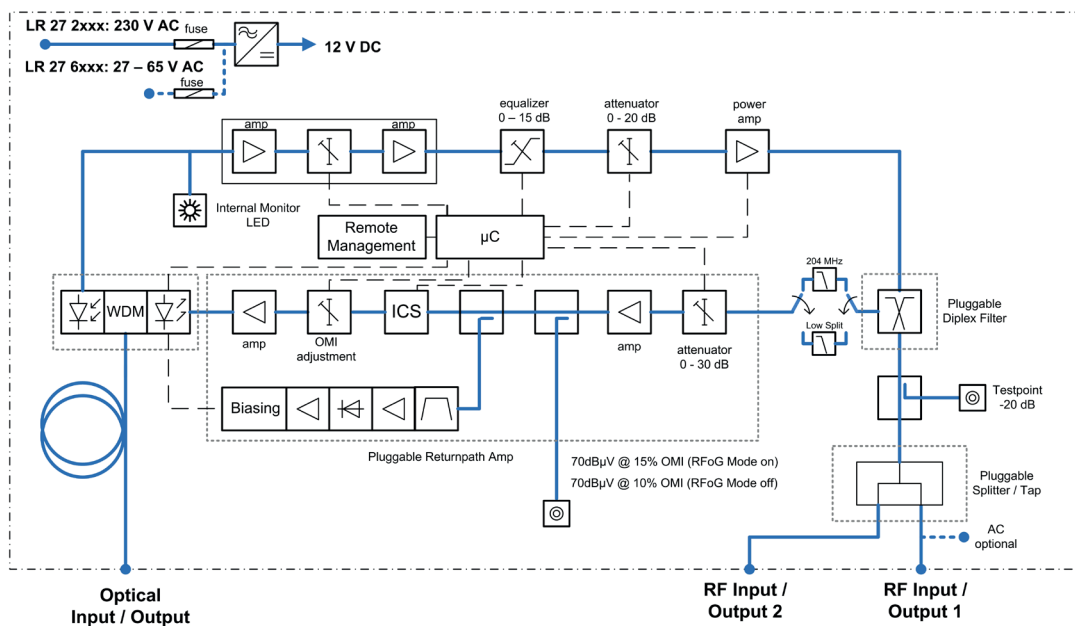


## At a glance:

- High RF output level of 109 dBμV for a full DOCSIS 3.1 load in FTTC or FTTB networks
- DOCSIS-3.1-compliant frequency range: Downstream up to 1.2 GHz, Upstream up to 204 MHz
- Pluggable duplexers enable migration towards DOCSIS 3.1 upstream
- Pluggable output splitters / taps for flexible configuration of the two RF outputs
- Device control via bluetooth app or via handset OH 41
- Optional: Remote control compliant to IEC 60728-14 via FSK receiver module
- Compact housing for outdoor deployment (IP66)
- Optical ALC for regulated output levels

## Description

The LR 27 fiber node is an optical node for RFoG applications. They can be operated in RFoG (burst-mode) and HFC (continuous wave) mode.



**WISI Communications GmbH & Co. KG**

Wilhelm-Sihn-Str. 5-7  
75223 Niefern - Oeschelbronn, Germany

Phone: +49 7233 66-280, Fax: -350  
E-Mail: export@wisi.de

Technical Modifications reserved. WISI cannot be held liable for any printing error. 17. April 2020, 09:41 pm.

## Technical data

Downstream	
Optical input power	-8...+2 dBm
Wavelength	1535...1565 nm
Frequency range	85...1218 MHz (depending on diplexer)
Noise current density	< 4,5 pA/√Hz
Attenuator downstream	0...20 dB (0,5 dB steps)
Equalizer downstream	0...15 dB (0,5 dB steps)
Outputlevel 10 dB slope (121 x QAM256), (EN60728-3-1)	109 dBμV ( BER <1 exp-9), (@ 2,5% OMI)
Outputlevel flat (121 x QAM256), (EN60728-3-1)	107 dBμV (BER <1 exp-9), (@ 2,5% OMI)
Amplitude response	±0,75 dB
Test point	-20 dB
RF return loss	> 18 dB (-1 dB/oct., min. 14 dB)
Optical return loss	> 40 dB

Upstream	
Optical output power	3 dBm
Wavelength	1270...1610 nm (according Order Code)
Frequency range	5...65 / 204 MHz (depending on diplexer)
Flatness	±0,75 dB
Low pass (switchable)	65/204 MHz
Ingress Control Switch (ICS)	0/-6/- >45 dB
RF return loss	> 18 dB
Optical return loss	> 40 dB

RFoG-Upstream (RFoG Mode „on“)	
RF input level	70...100 dBμV
Attenuator	0...30 dB
Test point	70 dBμV (@ 15 % OMI)

HFC-Upstream (RFoG Mode „off“)	
Nominal RF input level	70 dBμV (5 % OMI)
OMI	3...10 % (adjustable)
Test point	70 dBμV @ 10 % OMI

Interfaces	
Optical connectors	SC/APC (see order code)
PG 11 connectors	4 pcs. (2x RF input/output)

User interfaces	
Status LED downstream	Optical input power
Status LED upstream	Laser activity
Management ports RJ11	1 pcs. (for handset OH 41)
Remotely controlled parameters via FSK	DS on/off, US on/off, ICS 0/-6/-45 (with optional Rx module)
Bluetooth version	4.0 / LE
Bluetooth app compatibility	Android 4.3 or higher

## Technical data

General data	
Supply voltage	LR 2x x 2xxx: 180...264 V AC, LR 2x x 6xxx: 27...65 V AC
Power consumption max.	16 W
Output impedance	75 Ω
Dimensions (width x height x depth)	232 x 145 x 86 mm
Electro Magnetic Compatibility (EMC)	EN 50083-2
Protection class	IP 66
Ambient temperature	-10...+55 °C

### LR 27 XXX2

	<u>Upstream Wavelength:</u>
	27 – 1270 nm
	29 – 1290 nm
	31 – 1310 nm
	33 – 1330 nm
	35 – 1350 nm
	37 – 1370 nm
	39 – 1390 nm
	41 – 1410 nm
	43 – 1430 nm
	45 – 1450 nm
	47 – 1470 nm
	49 – 1490 nm
	51 – 1510 nm
	53 – 1530 nm (on special request only)
57 – 1570 nm (on special request only)	
59 – 1590 nm	
61 – 1610 nm	
<u>Power Supply:</u>	
2 – 230V local powered	
6 – 65V remote powered	
<u>Typ of Node:</u>	
7 – Single Fiber RFoG Node (Standard)	