



LR 92

FTTB-NODE



Description

- Extremely low noise optical receiver
- High RF output level, switchable: 80 dBμV (flat) or 98 dBμV (6 dB slope) for 4% OMI
- Manual adjustment of optical level compensation for maximum flexibility
- RF test port, switchable for up- and downstream
- Monitoring LED for US-Laser function



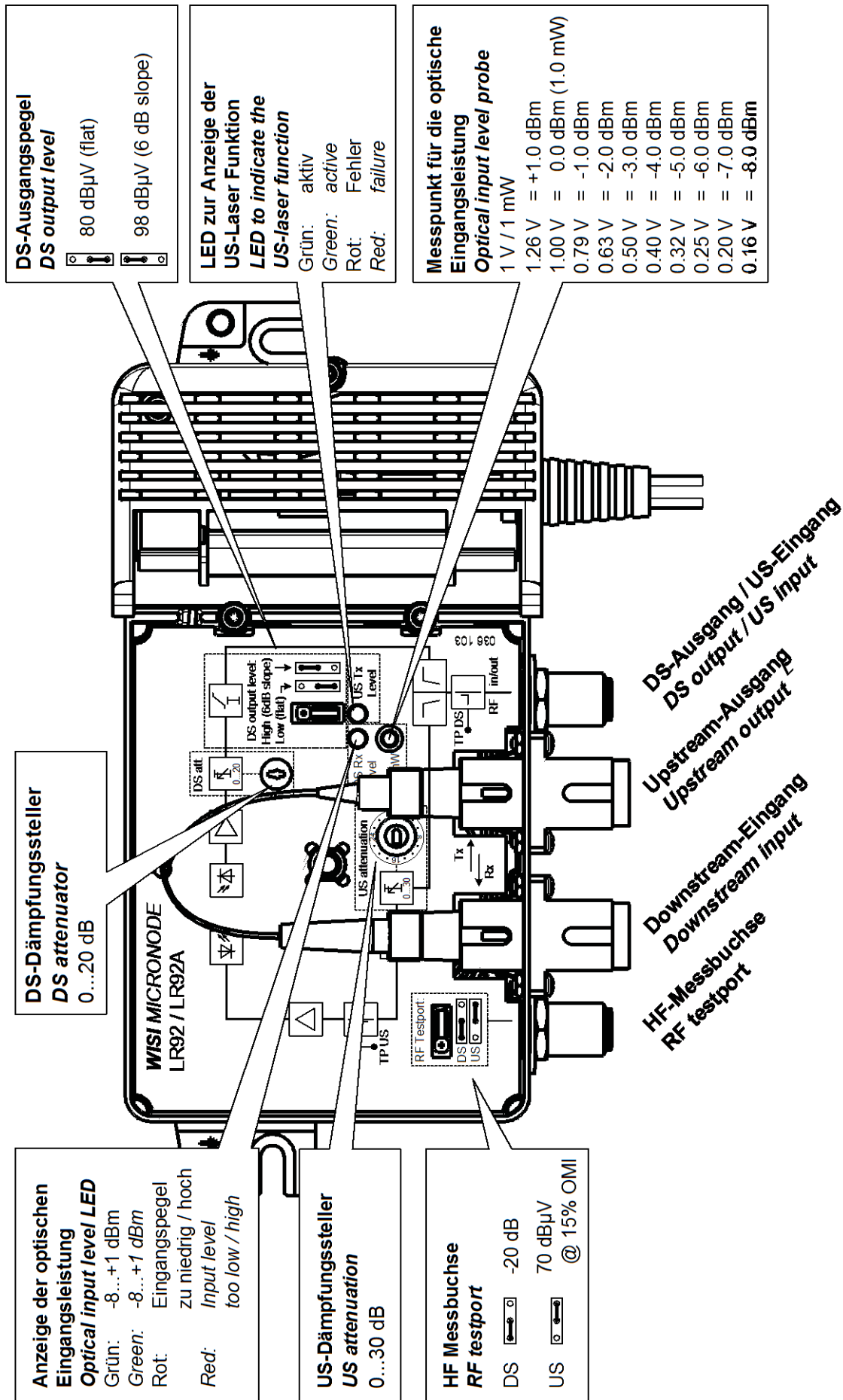
EN 50 083-1FF

*Services and repairs should only be carried out by experts.
Pay attention to live parts or wires! Switch off power supply.*



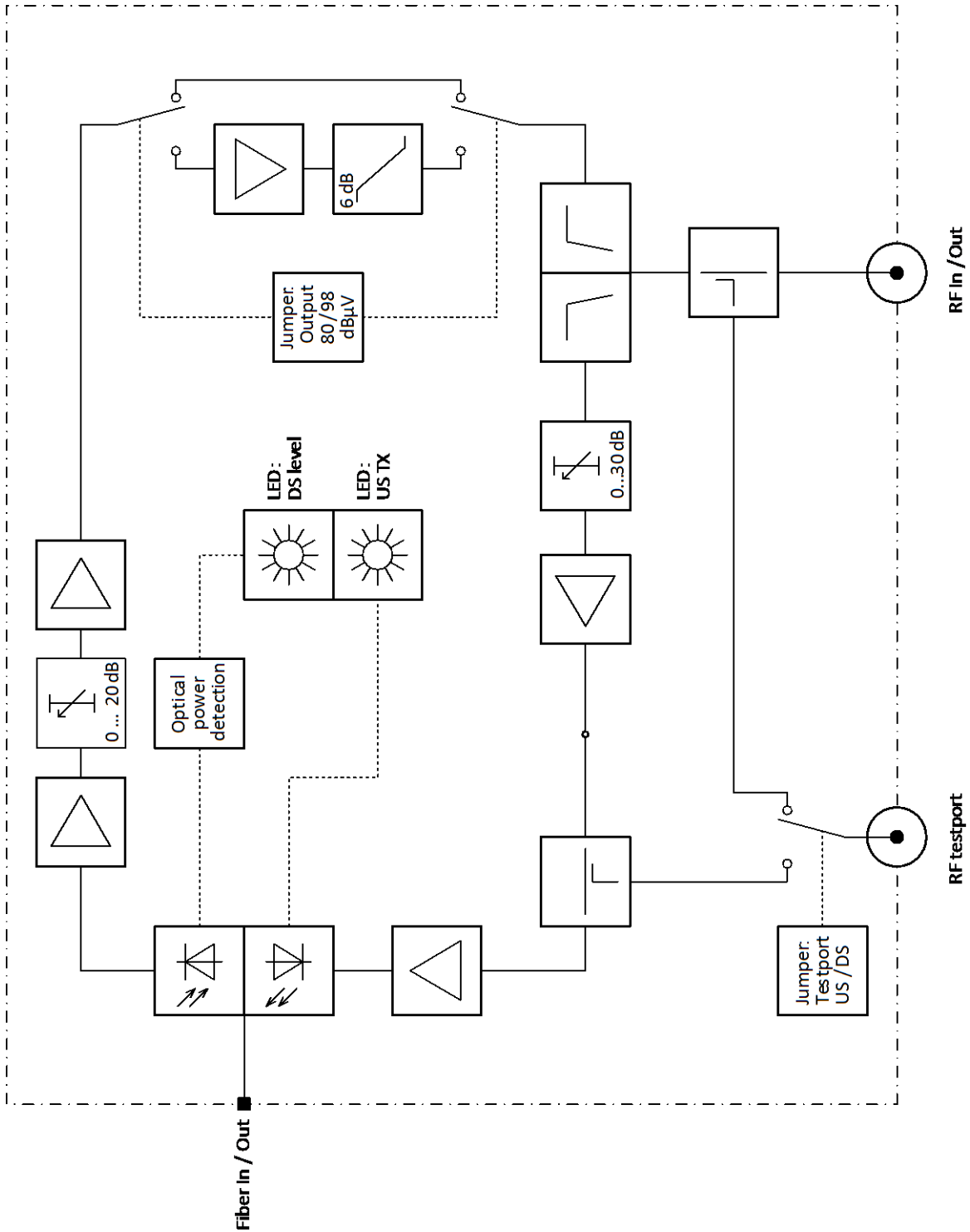


Configuration overview





Block diagram





Technical data

Downstream

- Wavelength: 1260 - 1610 nm
- Operating optical input power: -8...+1 dBm
- LED monitoring: optical input level: red: low / high, green: OK
- Frequency range: 85...1006 MHz
- RF output level: 80 dB μ V (flat) / 98 dB μ V (6 dB slope)
- Attenuator: 0...20 dB adjustable
- Frequency response: \pm 1 dB
- CENELEC 42 ch, at nominal output level 98 dB μ V / 6 dB slope:
 - CSO: min. 60 dB
 - CTB: min. 60 dB
- Equivalent noise input: max. 4 pA/VHz
- RF test port: -20 dB \pm 1 dB

Upstream

- Upstream Laser: FP 1310
- Optical output power: +3 dBm \pm 0.5 dB
- LED monitoring: US-laser function: red: failure, green: active
- Frequency range: 5...65 MHz
- RF input level: 70...100 dB μ V for 15% OMI (0...30 dB Attenuator)
- Frequency response: \pm 1 dB
- RF test port: 70 dB μ V for 15% OMI

General Data

- Optical connectors: SC/APC, single mode fiber 9/125 μ m
- RF connectors: F-type, 75 Ω
- RF return loss: 18 dB - 1,5 dB/Octave
- Power supply: 230 VAC
- Power consumption: <6 W
- Ambient temperature: -20°... +50°C
- Dimensions W x H x D: 163 x 90 x 50 mm
- Distance for mounting holes: 148 mm



WISI Communications GmbH & Co. KG

Empfangs- und Verteiltechnik
Wilhelm-Sihn-Strasse 5-7
75223 Niefern-Öschelbronn
Germany

Inland: Phone +49 7233-66-0 Fax -320
Export: Phone +49 7233-66-280 Fax -320
Email: info@wisi.de